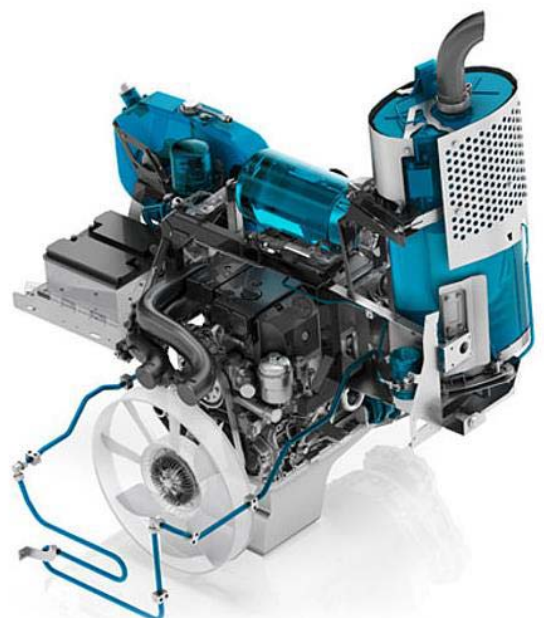
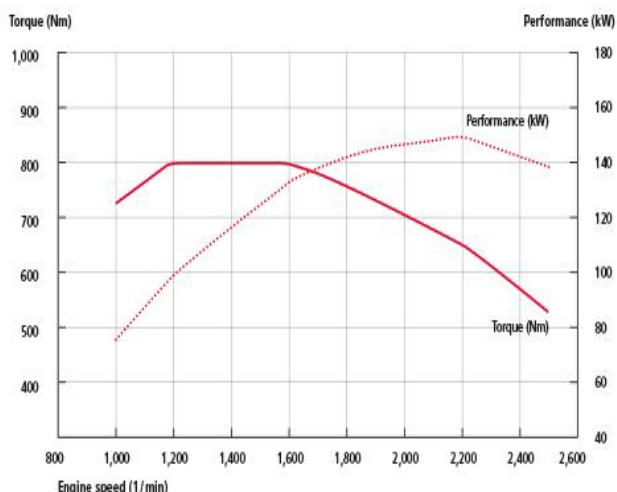


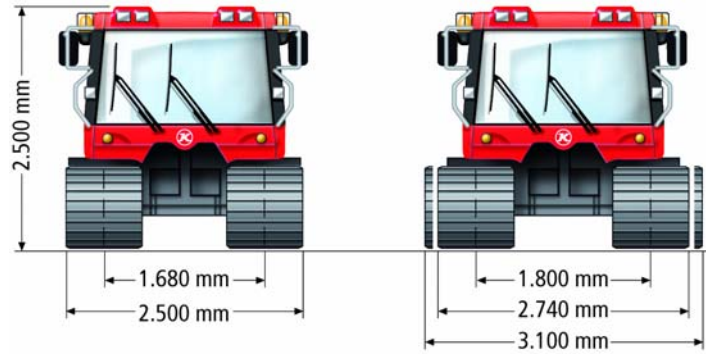
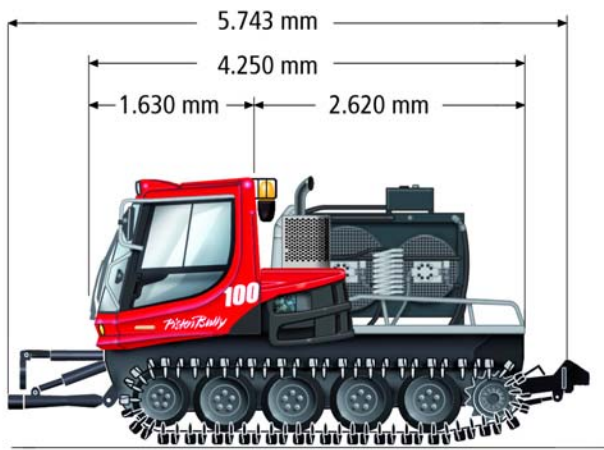
The unique all-rounder in its class

Efficiency and ergonomics – the new PistenBully 100 SCR AllSeason



- ⊕ Strong 4-cylinder engine with 204 hp (150 kW), powerful torque and emission standard Tier 4i
- ⊕ Engine is more responsive on lower speeds and thereby supports even better steering and drive behaviour at the same time
- ⊕ Eco-friendly engine: 90 % less emission through downstream SCR catalytic converter
- ⊕ ROPS-certified cabin
- ⊕ Individually adjustable seat, steering wheel and joystick offer an ergonomically unit
- ⊕ Improved smoothness and weight distribution also increase driving comfort and driving performance
- ⊕ Reduced ground pressure due to 4th running axle





Width*		Track width 1,680 mm	Track width 1,800 mm
Combined track	820 mm	2,500 mm	2,620 mm
Combined track	940 mm	—	2,740 mm
Combined track	1,120 mm	—	3,100 mm
Steel track	800 mm	2,480 mm	2,600 mm
X-Track	800 mm	2,480 mm	2,600 mm
X-Track	975 mm	2,830 mm	2,950 mm

*In acc. with ISO 1176/M6, net weights may vary depending on equipment.

Weights*		Track width 1,680 mm	Track width 1,800 mm
Combined track	820 mm	5,000 kg	5,150 kg
Combined track	940 mm	—	5,230 kg
Combined track	1,120 mm	—	5,350 kg
Steel track	800 mm	5,700 kg	5,850 kg
X-Track	800 mm	5,320 kg	5,470 kg
X-Track	975 mm	5,380 kg	5,530 kg
Tare weight PB100 SCR		4,340 kg	4,490 kg
Permissible gross weight		6.200 kg	6.200 kg

Dimensions

Height	max. operating height	2,500 mm	Load area	Length	1,621 mm
	when driver's cabin tilted	3,020 mm			
Ground clearance		320 mm	Length		5,743 mm

Engine		Cabin		Electrics	
Type	Mercedes Benz OM 924 LA	ROPS certificate	yes	Low-voltage system	24 V
No. of cylinders	4	Driver's seat	adjustable, air-sprung	Alternator	28 V / 100 A
Displacement	4.80 l / 4,800 ccm	Operating elements	indicating instruments, switches	Batteries	2x 12 V / 100 A
Power output (ECE)	150 kW / 204 hp	Glazing	Front and rear windows heated, side windows partial heated	Cold start rating	680 A
Exhaust emissions standard	Tier 4i	Rear mirrors	heated	Driving characteristics	
Max. torque	800Nm/1,200-1,600U/rpm	Wipers	colling-water heated	Speed	0-23 km/h, continuously variable
Tank capacity	150 l	Lightning		Turning radius	on-the-spot
Additional tank	—	Front	4 halogen front lights, 2 LED working lights	Options	
Tank capacity AdBlue®	25 l	Rear	2 LED-working lights	Rear hydraulics	
Fuel consumption	from 8.5 l/h			Push frame for front quick-mount system	
Driver pump	71 ccm			Towing hitch	
Traction drive	63 ccm			Drum Winch	
Tiller drive	56 ccm				

Standard



Brush-guards



Solid tyres



Labyrinth lubrication of shaft oil seal rings

Optional



3-point front / rear linkage with / without PTO shaft



Technical package (High pressure front)



Air conditioning